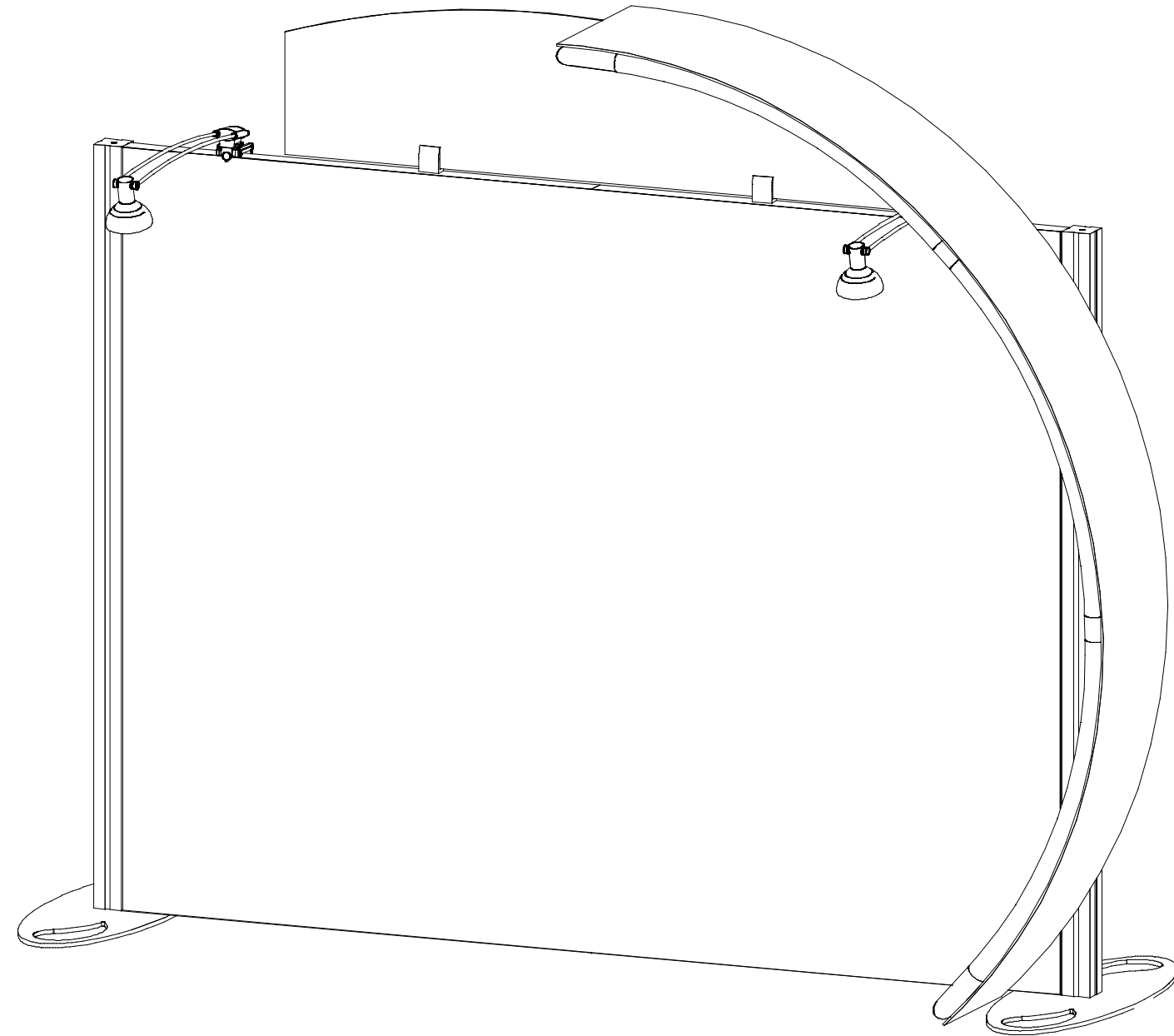


Plan View



General Setup Instructions

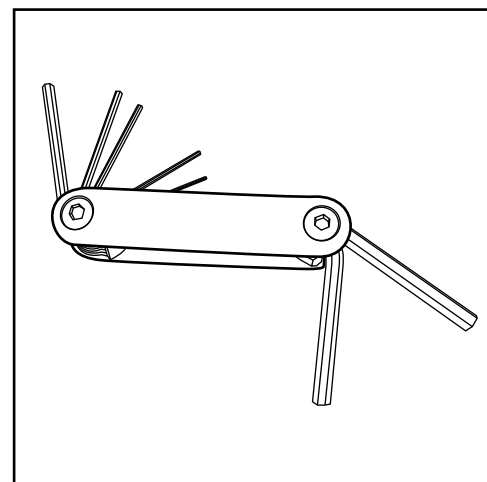
- Read entire setup instruction manual prior to unpacking parts and pieces.
- The setup instructions are created specifically for this configuration.
- Setup instructions are laid out sequentially in steps, including exploded views with detailed explanation for assembly.

Cleaning & Packing

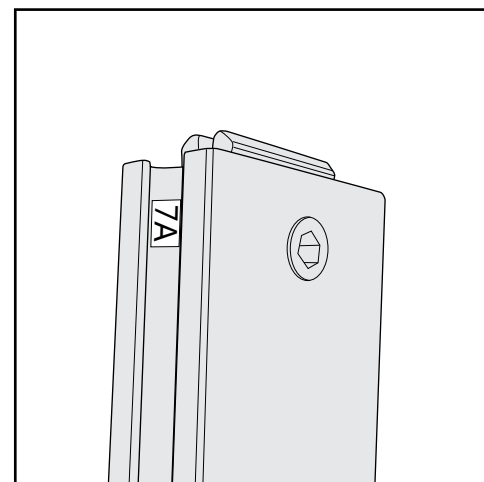
- For Cleaning Metal, Plex, & Laminate Parts: Use a **MILD NON-ABRASIVE** cleanser and soft cloth/paper towel to clean all surfaces.
- Keep exhibit components away from heat and prolonged sun exposure. **Heat and UV exposure will warp and fade components.**
- Retain all provided Packing Materials. All provided packing materials are for ease of repacking & component protection.

Disassembly

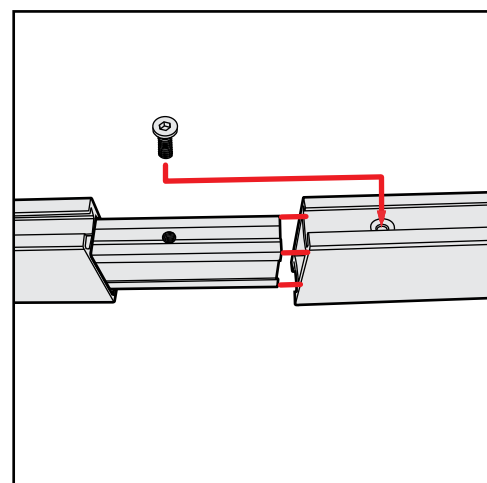
- For loss prevention, tighten all set screws and locks during disassembly.



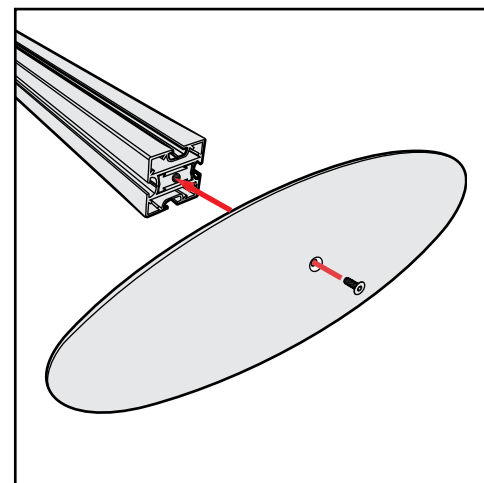
Hex Tool - Essential for Assembly



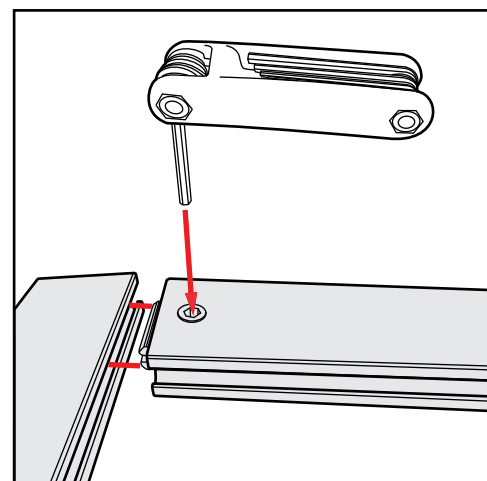
Part Identification - Numbering



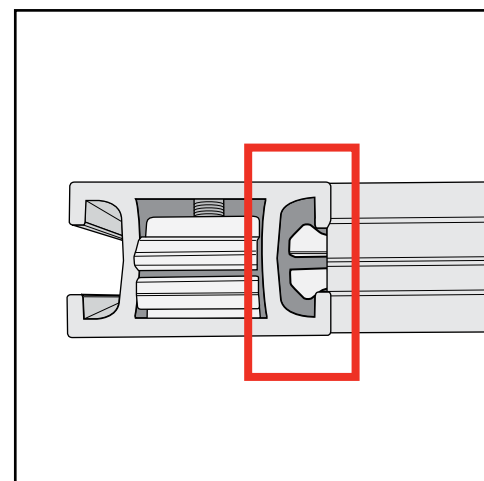
Spline Connection



Base Plate & Extrusion Connection



Extrusion & Lock Connection



Engaged Lock



WARNING



DO NOT USE POWER TOOLS



LADDERS OR LIFTS
MAY BE REQUIRED

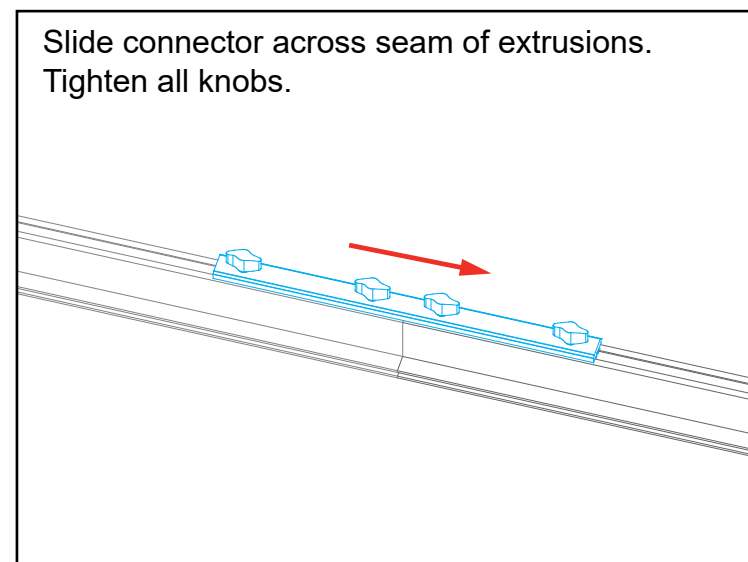
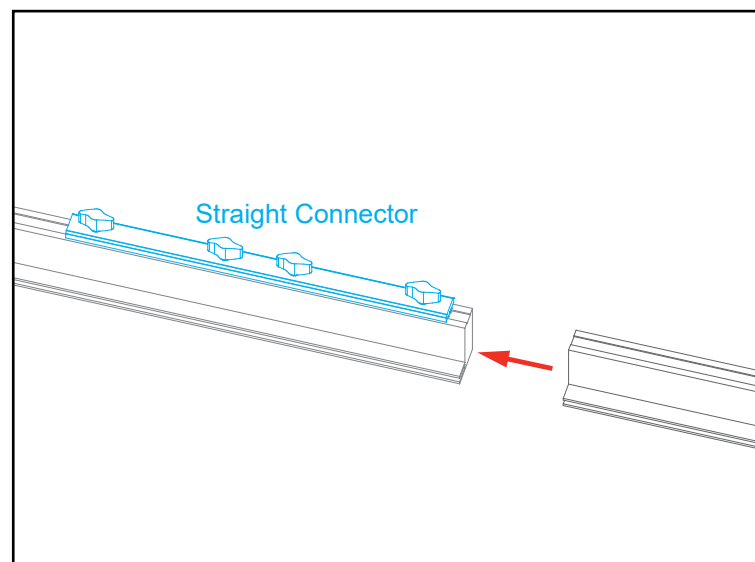


ALL CONNECTIONS MUST
BE TIGHTLY SECURED

Straight Connection

When assembling frame, first attach all **straight connectors**, then attach **corner connectors**.

- 1) Place extrusions end-to-end.
- 2) Loosen all knobs, then slide **straight connector** across the seam of extrusions.
- 3) Tighten all knobs to secure connection.



All knobs must be tightened securely to ensure a proper connection.

Disassembly

- 1) Loosen all knobs.
- 2) Slide connectors off of one extrusion.
- 3) Tighten knobs to prevent loss during packing & shipping.

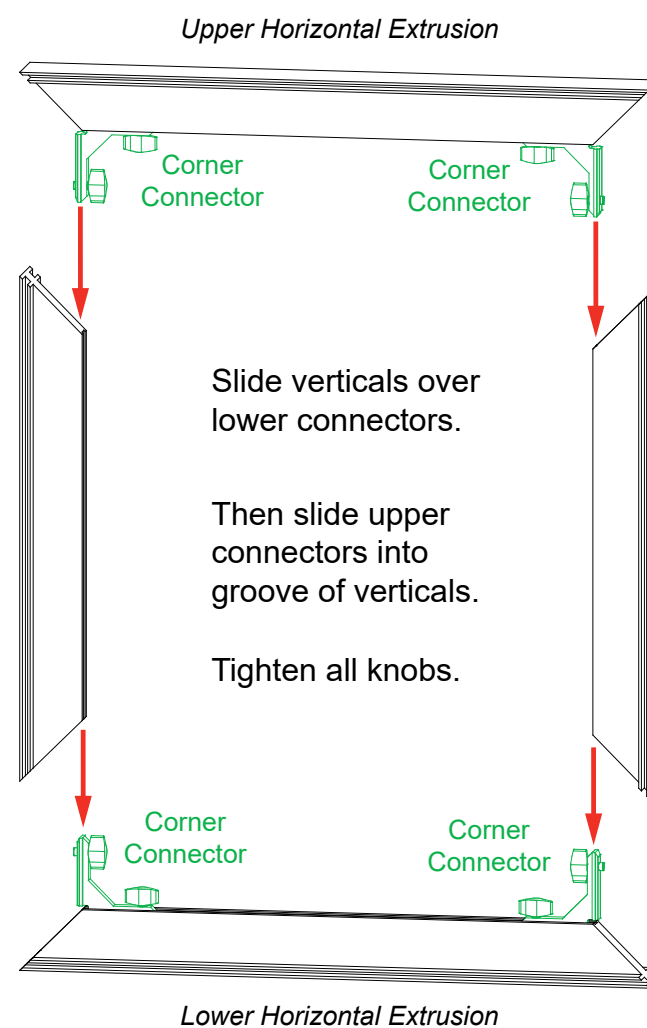
Keep straight connectors in groove of extrusion. Do not remove connectors during disassembly.

Corner Connection

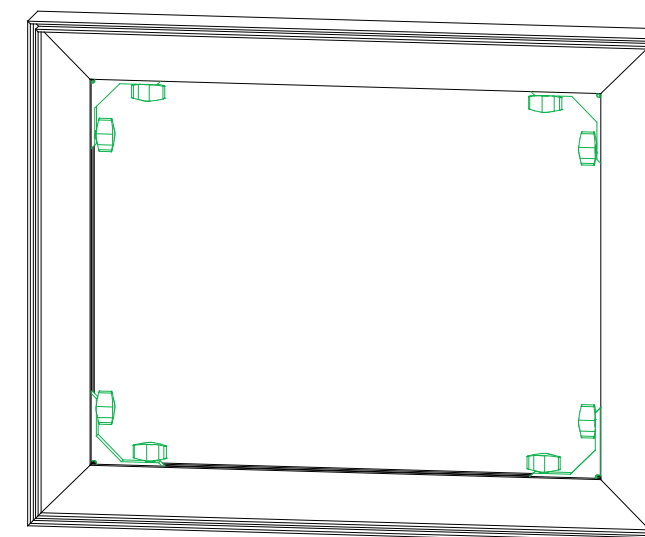
- 1) Loosen knobs, then slide vertical extrusions onto **corner connectors** of **lower** horizontal extrusion.
- 2) Slide **corner connectors** of **upper** horizontal extrusion into grooves of vertical extrusions.
- 3) Tighten all knobs to secure connection.

Disassembly

- 1) Loosen knobs on vertical extrusions.
- 2) Slide the vertical extrusions off of **corner connectors** on lower and upper horizontal extrusions.

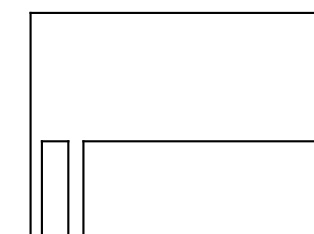


Adjust connectors if necessary to prevent gaps in connection.

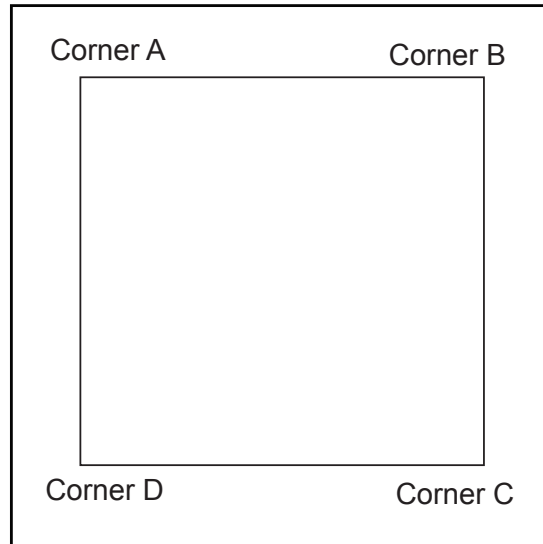


COMPLETED ASSEMBLY

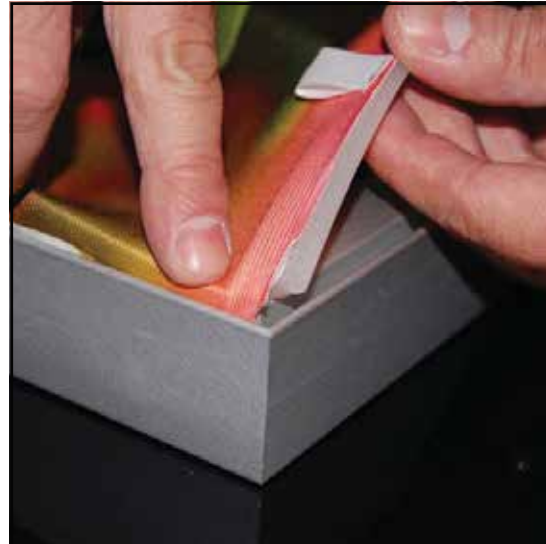
All knobs must be tightened securely to ensure a proper connection.



TSP46 Profile



It is important to first insert graphic into each alternate corner then to the sides of the frame. If this is not done, graphic will not fit into the frame correctly.



Step 1
Insert corner A. Turn edge of graphic so silicon welt is perpendicular to face of graphic. Insert narrow side of welt with fabric to outside into the channel. Repeat for other side of this corner.

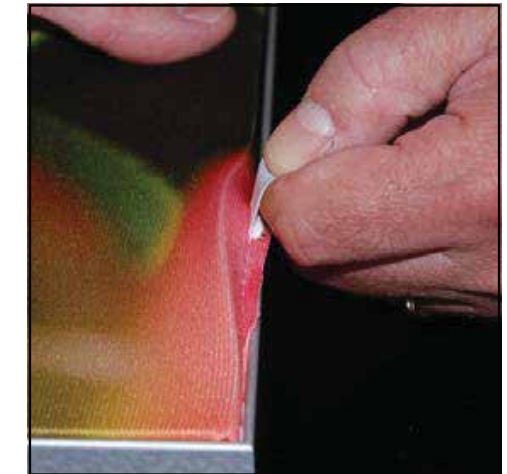


Step 2
Repeat Step 1 for opposite corner C, then insert corner B, followed by corner D, to complete the installation of the corners.



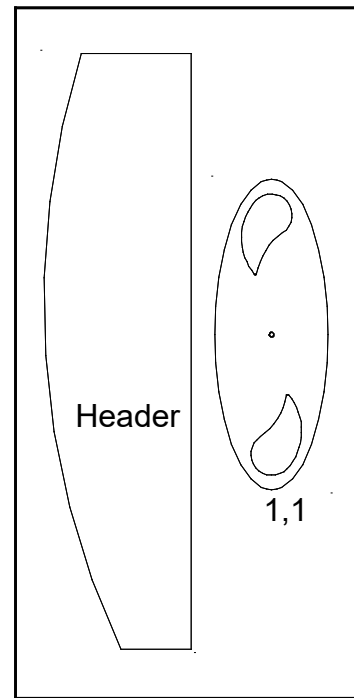
Step 3
Once all corners are inserted, press one silicon edge into channel from corners and work toward the center. Make sure welt is fully inserted into channel. Continue until all sides are done. Smooth out edges of graphic.

Graphic Removal

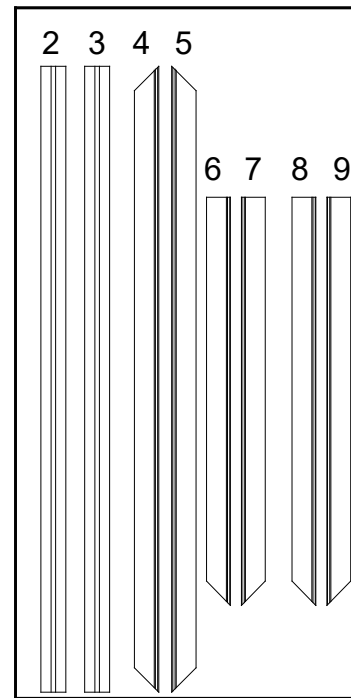


To remove the graphic from the frame, locate the fabric pull tab. Gently pull up on the tab to remove the fabric.

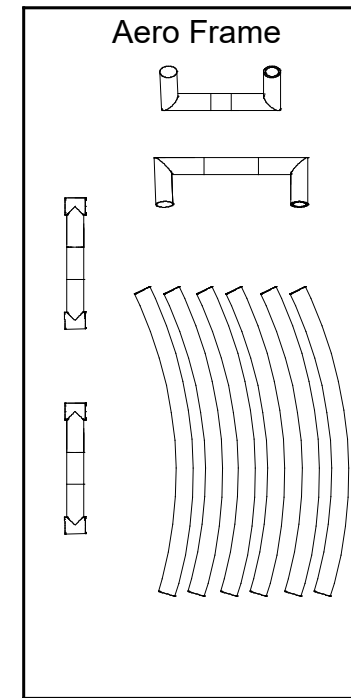
Top View of Each Level



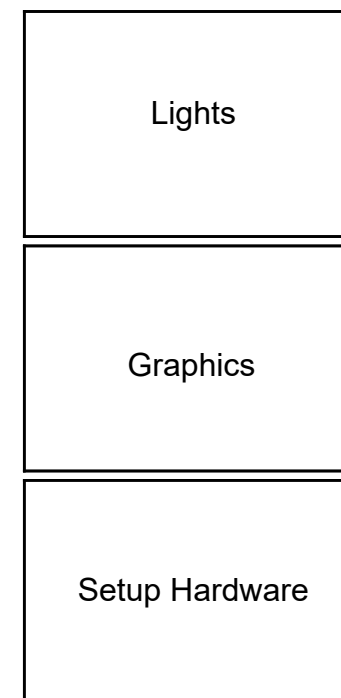
Level 1
(Bottom level)



Level 2



Level 3

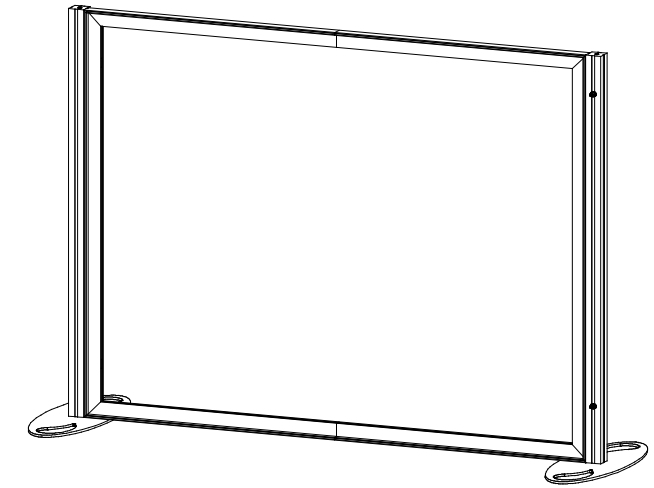


Item	Qty.	Description
1	2	8" x 22" Base Plate
2	1	46"h S44 Vertical Extrusion
3	1	46"h S44 Vertical Extrusion w/ key holes
4	1	46"h TSP46 Vertical Extrusion
5	1	46"h TSP46 Vertical Extrusion
6	1	30"w TSP46 Horizontal Extrusion
7	1	30"w TSP46 Horizontal Extrusion
8	1	30"w TSP46 Horizontal Extrusion
9	1	30"w TSP46 Horizontal Extrusion

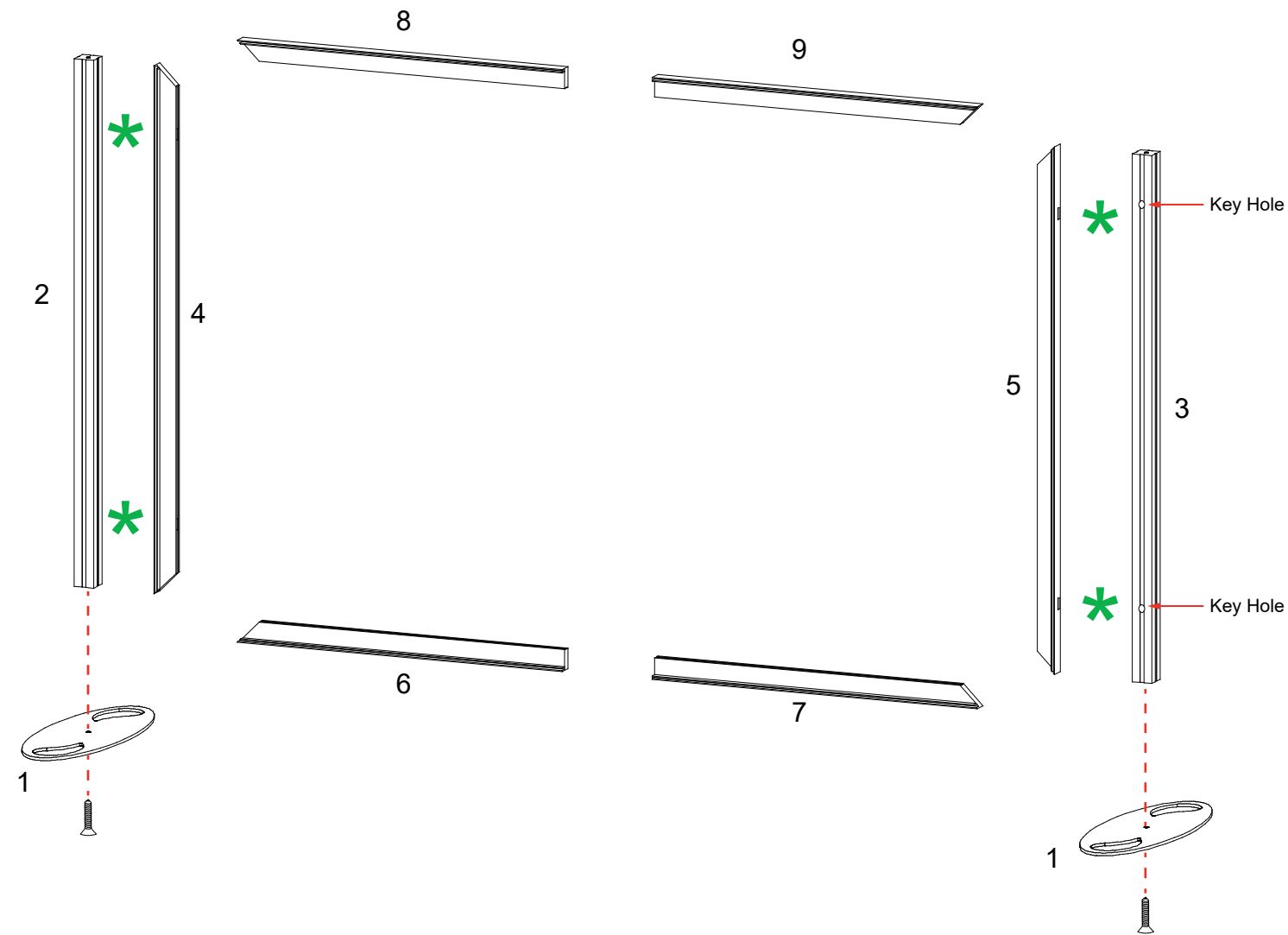
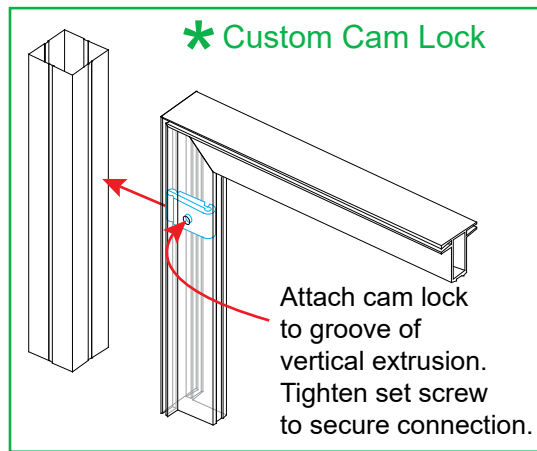
Steps:

Refer to the TSP46 Frame Assembly general information page.

- 1) Attach Base Plates [1] to bottom of verticals [2,3], using bolts.
- 2) Assemble horizontals [6-7], [8-9] together using straight connectors,
- 3) Attach verticals [4,5] between horizontal assemblies [6/7], [8/9] using corner connectors.
- 4) Connect verticals [4,5] to verticals [2,3] using custom cam locks.
See [Custom Cam Lock](#) detail.



When assembled



FRONT VIEW

AERO

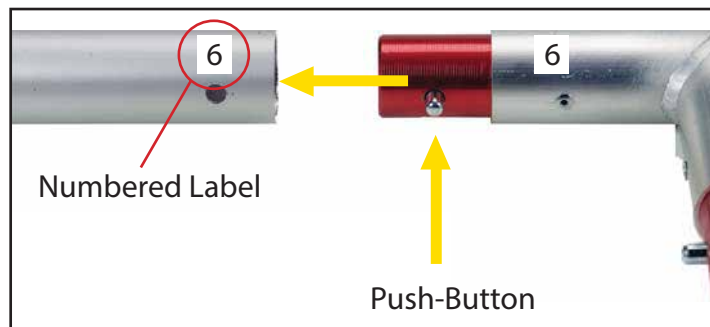
Using Your Setup Instructions

The Aero Setup Instructions are created specifically for your configuration. The instructions include an exploded view of the frame which is sequentially labeled. We encourage you to review the instructions before attempting to assemble your exhibit.

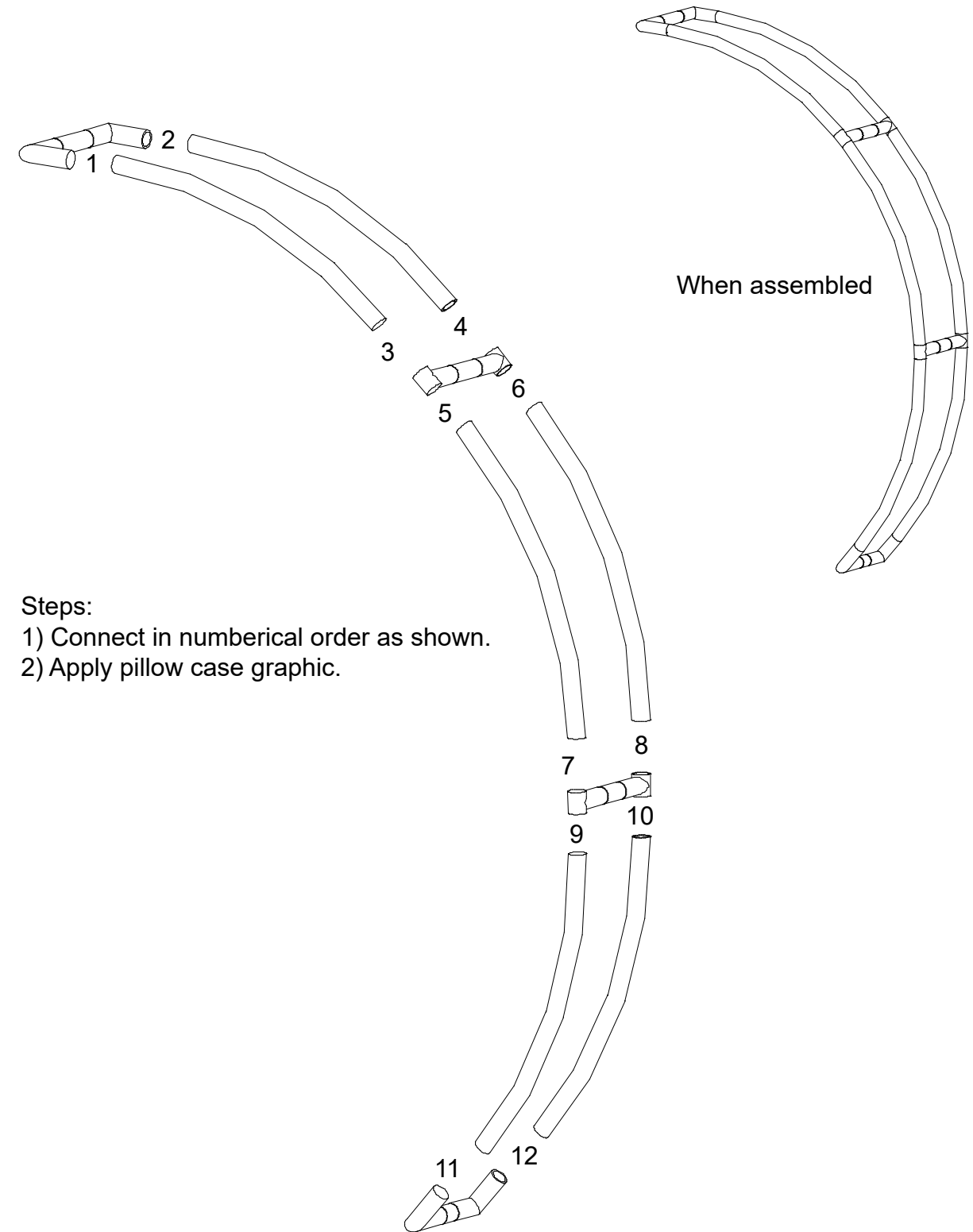
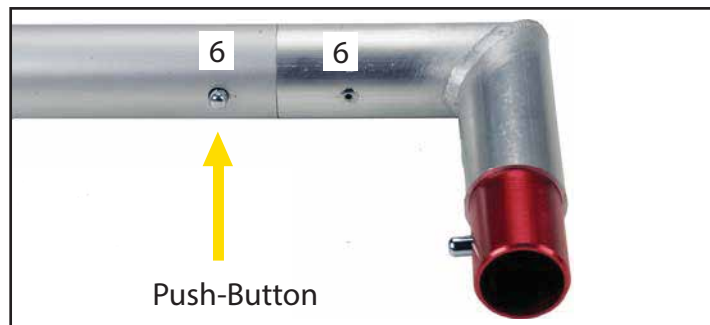
Connections are kept very simple; no tools required. Everything assembles with push-button connectors.

Cleaning and Packing Your Display

- 1) Use care when cleaning aluminum extrusion or acrylic inserts. Use only non-abrasive cleaners.
- 2) Retain all packing material. It will make re-packing much easier and will reduce the likelihood of shipping damage.



Connections are made by holding the button down and sliding the red tube into opposing tube until button locks into the hole of the opposing tube. To disassemble, push button and pull or twist extrusions apart.

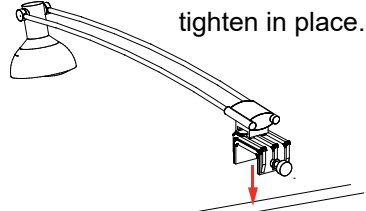


Steps:

- 1) Connect in numerical order as shown.
- 2) Apply pillow case graphic.

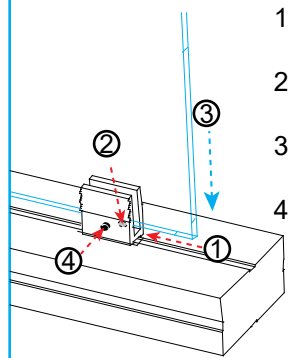
*** Light Attachment**

Attach lights to Horizontal where desired and tighten in place.

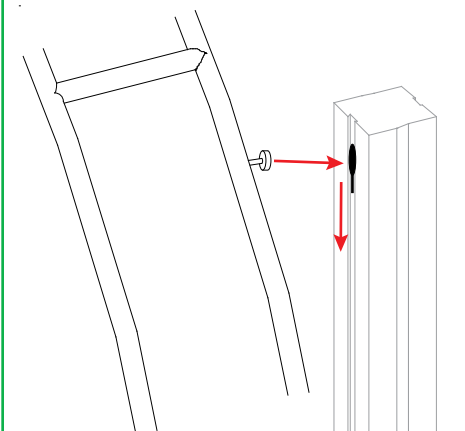


*** Header Attachment**

- 1) Slide A10 connector into groove of extrusion.
- 2) Tighten set screw to secure A10 to extrusion.
- 3) Insert Header into Clamp.
- 4) Tighten knob to secure wing in place.



*** Keyhole Attachment**

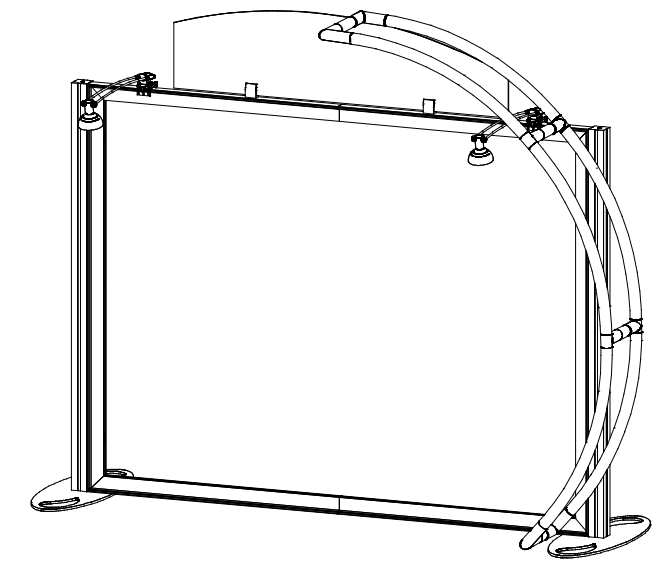
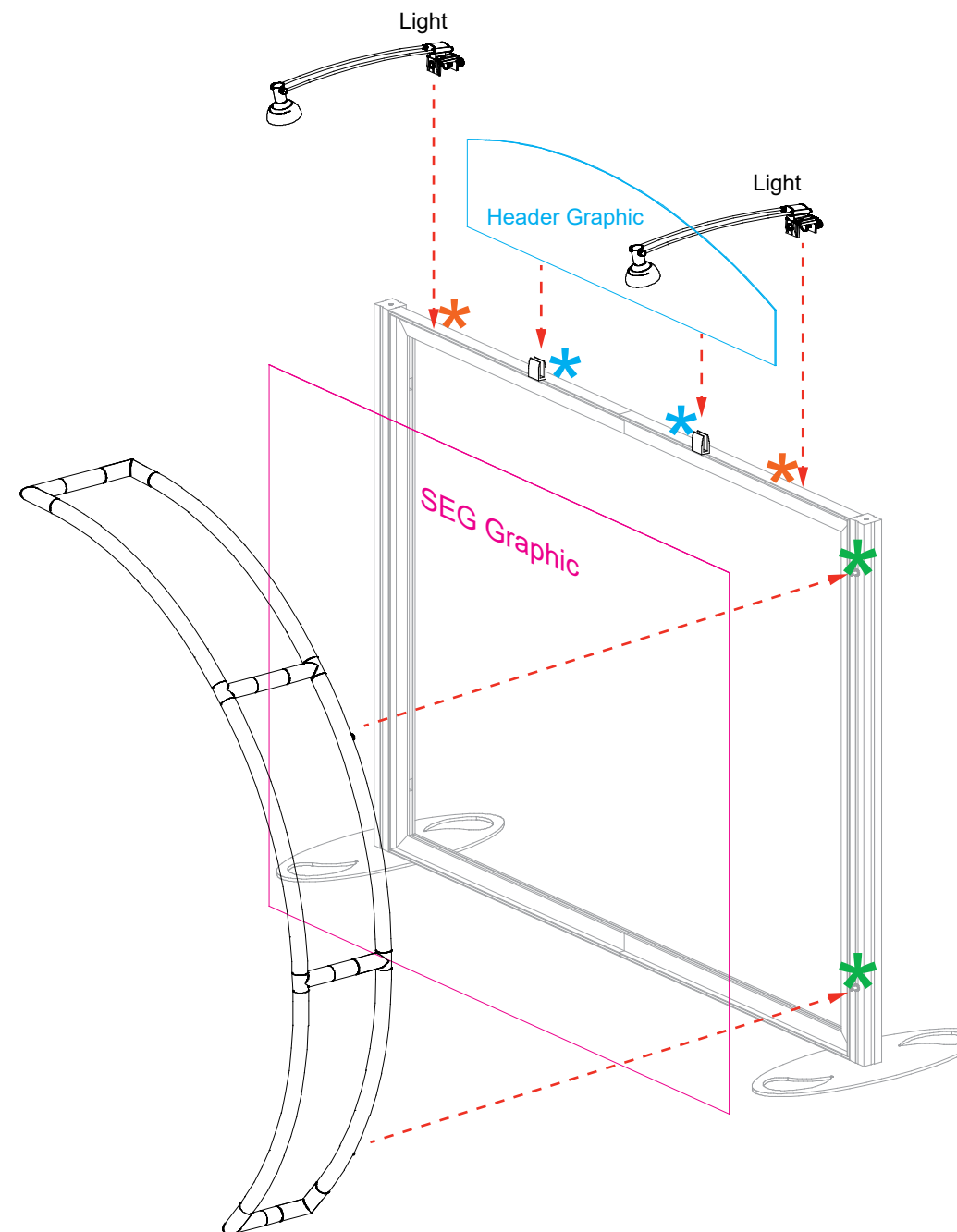


Insert bolts of Aero frame into keyhole slot in groove of vertical extrusion, slide Aero frame down to secure.

Steps:

Refer to the SEG Installation general information page.

- 1) Apply SEG graphic to front of frame assembly.
- 2) Connect Aero Frame to key holes on vertical [3].
- 3) Attach Header Graphic to top horizontals using A10 clamps.
See [Header Attachment](#) detail.
- 4) Connect Lights to top horizontals.
See [Light Attachment](#) detail.



Completed Assembly