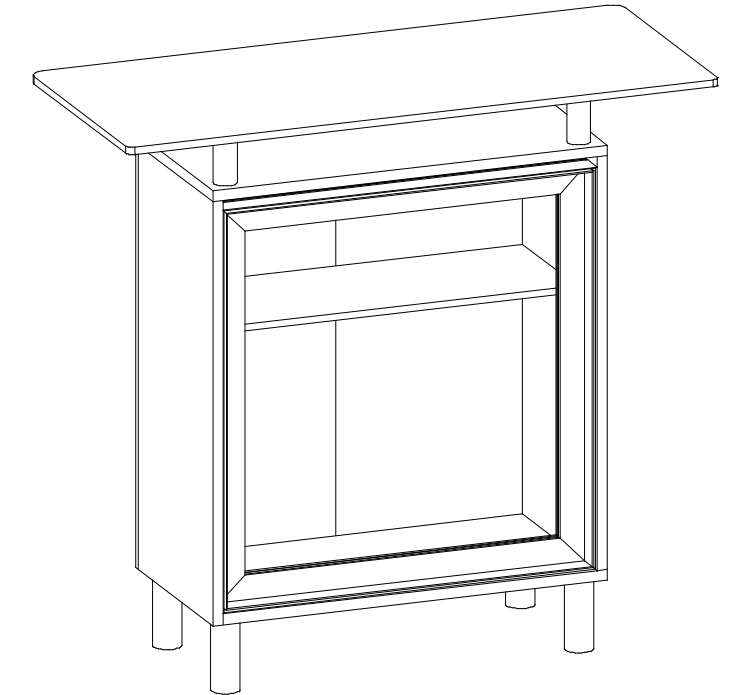
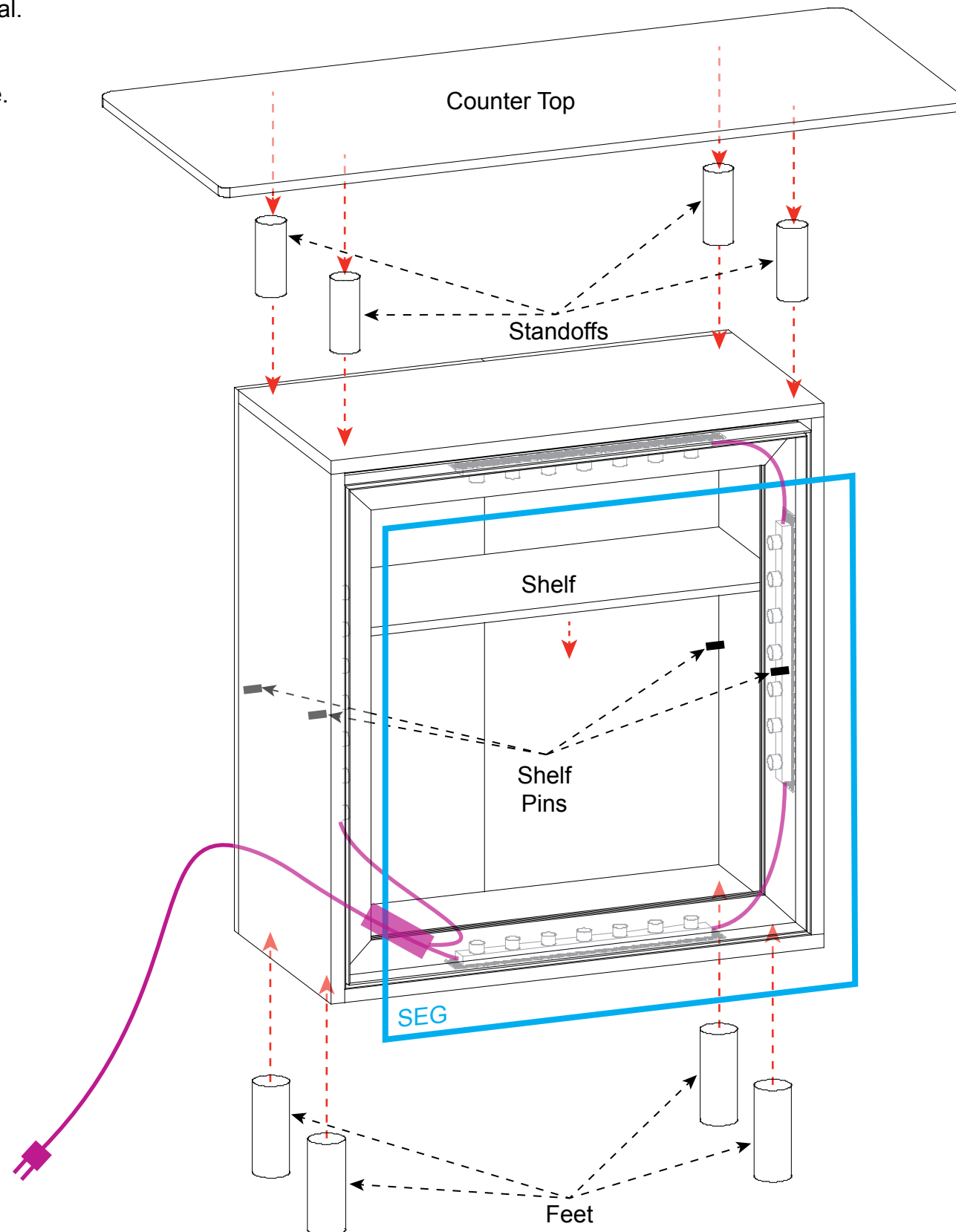


Order #XXXXX - ECO-47C Sustainable Counter / Podium

Steps:

- 1) Connect Feet to pedestal body.
- 2) Connect Standoffs and Counter Top to pedestal.
- 3) Place Shelf onto Shelf Pins.
- 3) Apply SEG to front of assembled pedestal.
See [SEG Graphic Install](#) on General Info page.



Completed Assembly

General Setup Instructions

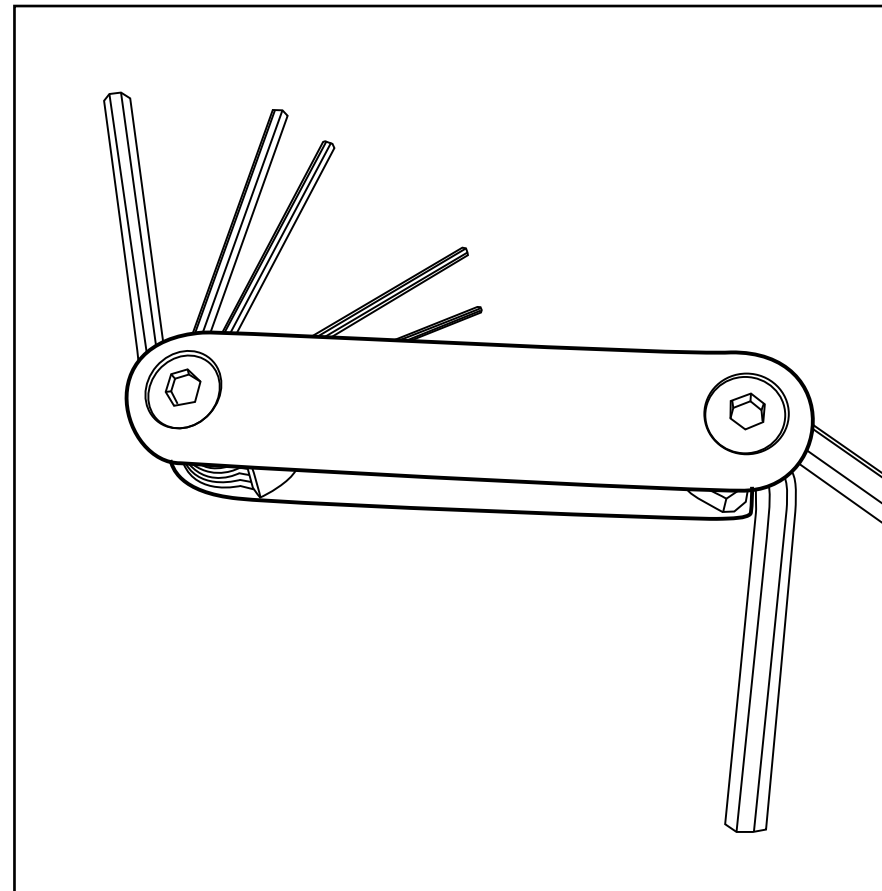
- The setup instructions are created specifically for your configuration.
- Setup instructions are laid out sequentially in levels, including exploded views and a logical series of steps for assembly. We encourage you to study the instructions before attempting to assemble your exhibit.

Cleaning and Packing

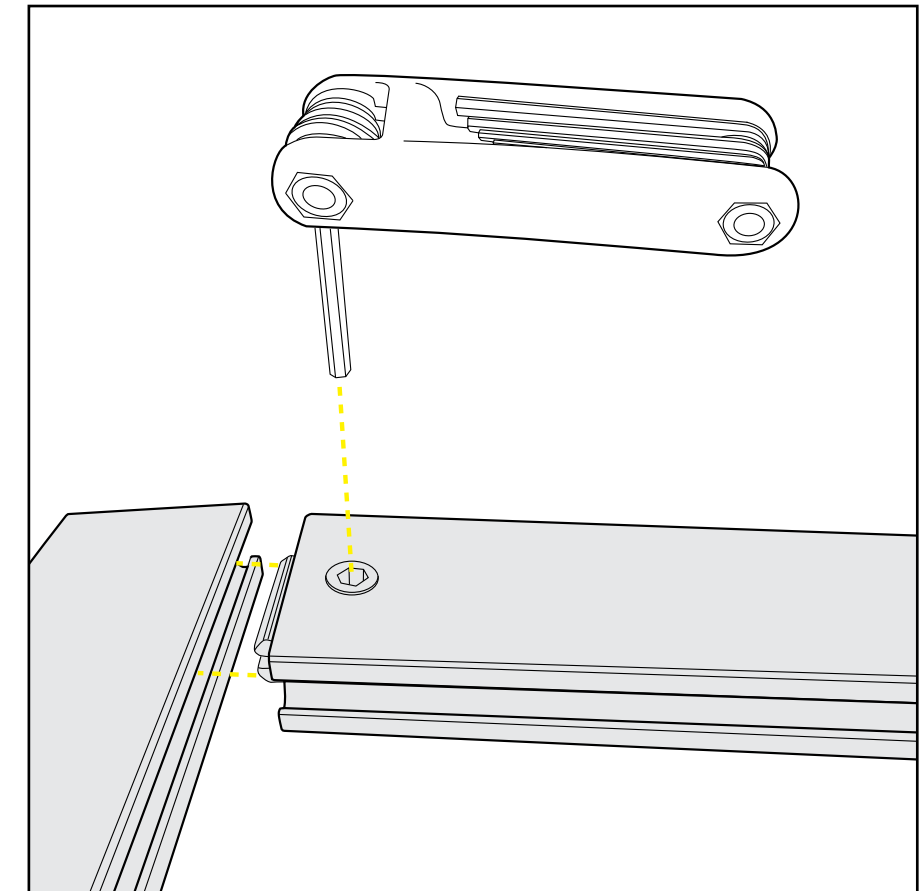
- Use non-abrasive cleaners when cleaning extrusions or ECO Glass inserts.
- Use mild cleaners and soft materials such as cotton to clean all laminates.
- Keep exhibit components away from extreme heat and long exposure to sun light. This will prevent warping and fading.
- Retain all packing material for ease of re-packing. This protects the exhibit components and keeps each part organized.

Disassembling

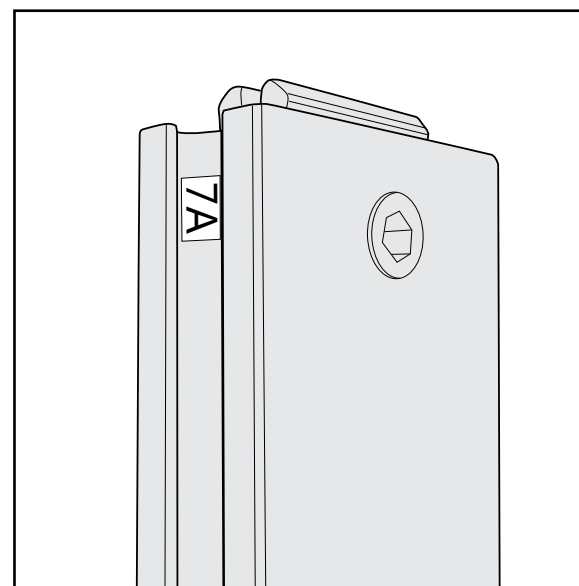
- When disassembling exhibit, tighten all setscrews to prevent loss of hardware in the shipping process.



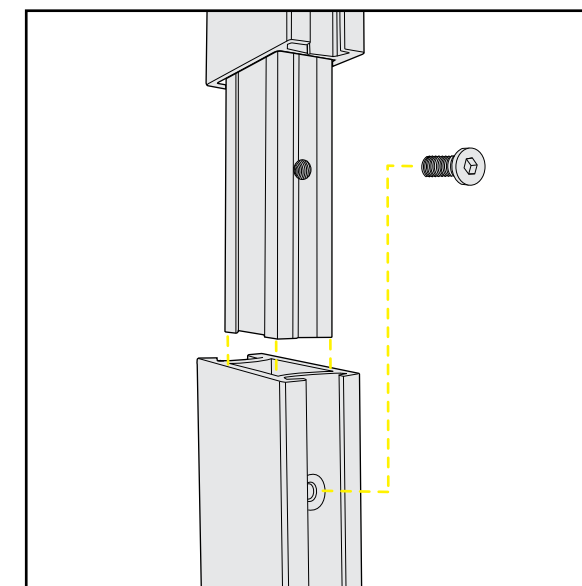
Hex Tool for Assembling Exhibit



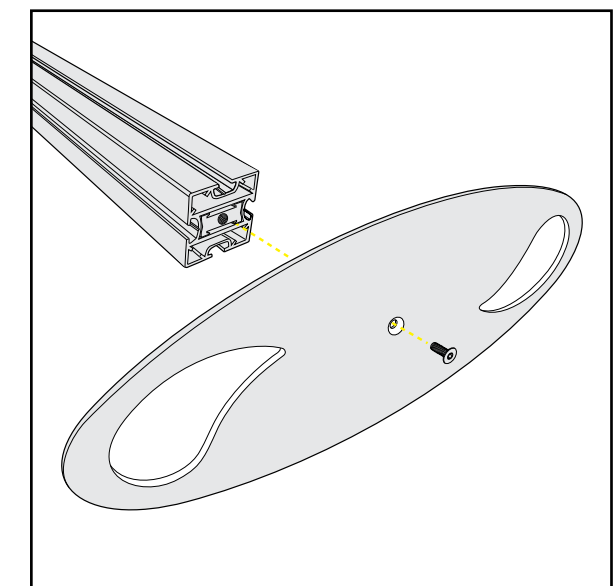
Extrusion Lock Connectors



Numbering Instructions for Setups/Packing



Inline Connection between Extrusions



Baseplate Connection for Vertical Extrusions